



DYNATRON CORPORATION

TOP MOTOR TECHNOLOGY(HUIZHOU)CO,LTD

Specification for Approval

Customer:		
Model Number:	L26(双大 PUMP)	
Part Number:		
Issued Date:	Thursday, December 10, 2020	
Version:	A	
Customer Approval		
Approval:	Check:	
Corporate Headquarters Dynatron Corporation 33200 Western Avenue Union City, CA 94587 U.S.A. Tel: 510-498-8888 Fax: 510-498-8488	<i>Taipei Office</i> <i>(Taiwan, R.O.C.)</i> 8F, No. 35,Lane:221 Gang Cian. Road, Taipei, Taiwan, R.O.C. Tel: 886-2-27995799 (Rep.) Fax: 886-2-2799-9577	Manufactory TOP MOTOR TECHNOLOGY(HUI ZHOU)CO,LTD Baishi Village,QiuchangTown, Huiyang Dist,HuizhouCity,Guangdong Province,P.R.China Tel: 86-752-822-8000 (Rep.) Fax: 86-752-822-8999
Approval:	Check:	Handler:
Guo xuan	-	Ling yan



DYNATRON CORPORATION

TOP MOTOR TECHNOLOGY(HUIZHOU)CO,LTD

CONTENTS		Page
1.	SCOPE	3-4
2.	ELECTRICAL CHARACTERISTICS	5
3.	MECHANICAL CHARACTERISTICS	5
4.	ENVIRONMENTAL	6
5.	PROTECTION	7
6.	ATTACHMENTS	7
	1. Product Dimension	8



DYNATRON CORPORATION

TOP MOTOR TECHNOLOGY(HUIZHOU)CO,LTD

1. SCOPE

This specification defines the electrical and mechanical characteristics of the □ AC / ■DC Brushless Pump (■Liquid State/ □2-Balls Bearing), which is carefully designed and manufactured for your special needs by Dynatron Corporation.

2. ELECTRICAL CHARACTERISTICS(Pump)

Items		Description
1.	Rated Voltage	DC 12V
2.	Start Voltage	DC 7V
3.	Operating Voltage	10.2 V ~ 13.8 V
4.	Flow – (minimal value)	3.19LPM (0.86GPM)
5.	Input Current	0.6A (Max.)
6.	Input Power	7.2W
7.	Speed	5400RPM ± 10 %
8.	Insulation Resistance – Between Frame and Terminal	10 M ohm at DC 500 V
9.	Dielectric Strength – Between Frame and Terminal	5 mA (Max.) @ AC 500 V 60 Hz 1 min.
10.	Life – Continuous operating under normal temperature (25 °C or 77 °F)	35,000 hours
11.	Rotation	Anticlockwise Air Discharged
12.	Autorestart Time	3-5sec
13.	Lead Wires	UL 2468, AWG 28 or Equivalent “-”: Black; “+”: Black; “S” Black;
14.	Acoustical Noise	26.5dBA(Max27 dBA)



TOP MOTOR

DYNATRON CORPORATION

TOP MOTOR TECHNOLOGY(HUIZHOU)CO,LTD

1. SCOPE

This specification defines the electrical and mechanical characteristics of the □ AC / ■ DC Brush Less (■Liquid State /□2-Balls Bearing) axial flow fan, which is carefully designed and manufactured for your special needs by Dynatron Corporation.

2. ELECTRICAL CHARACTERISTICS

Items		Description		
1.	Rated Voltage	DC 12 V		
2.	Operating Voltage	10.8V~13.2V		
3.	PWM Frequency 25KHz	Duty Cycle D=0~20%	Duty Cycle D=50%	Duty Cycle D=100%
4.	Start Voltage	7V		
5.	Air Flow – At rated voltage zero static pressure (minimal value)	0.654m ³ / min (23.085CFM)	1.502m ³ / min (53.01CFM)	2.907m ³ / min (102.60CFM)
6.	Static Pressure – At rated voltage At zero air flow	1.152mm-H ₂ O (0.045inch-H ₂ O)	6.074mm-H ₂ O (0.239inch-H ₂ O)	22.752mm-H ₂ O (0.896inch-H ₂ O)
7.	Input Current (Max.)	0.10A	0.32A	1.90A
8.	Speed	1350RPM±200	3100RPM±10%	6000RPM±5%
9.	Acoustical Noise	24.77dBA	42.82dBA	57.16dBA
10.	Input Power	1.20W	3.84W	22.8W
11.	Insulation Resistance – Between Frame and Terminal	10 M ohm at DC 500 V		
12.	Dielectric Strength – Between Frame and Terminal	5 mA (Max.) @ AC 500 V 60 Hz 1 min.		
13.	Life – Continuous operating under normal temperature (25 °C or 77 °F)	80,000 hours		
14.	Rotation	Anticlockwise Air Discharged		
15.	Lead Wires	UL 1007, awg 26 or Equivalent “-”: Black; “+”: Yellow; “S”: Green. “PWM”: Blue.		



DYNATRON CORPORATION

TOP MOTOR TECHNOLOGY(HUIZHOU)CO,LTD

2. MECHANICAL CHARACTERISTICS

Items		Description
1.	Dimension	Display as Drawing
2.	Frame	PBT UL94V-0 (Black GP)
3.	Impeller	PBT UL94V-0 (Black GP)
4.	Frame (Pump)	PPS UL94V-0 (Black GP)
5.	Impeller(Pump)	PPS UL94V-0 (Black GP)
6.	Bearing System	Liquid State
7.	Weight	--grams

3. ENVIRONMENTAL

Items		Description
1.	Operating Temperature	- 10 °C ~ + 65 °C (65 %RH)
2.	Storage Temperature	- 30 °C ~ + 70 °C (65 %RH)
3.	Vibration Test	Displacement Amplitude: 0.75mm(Equivalent 10G) Frequency Range:10Hz<->55Hz/30SEC. Linear Scanning 120 Cycle Endurance Timer Per Axis:30Min. Orientation:X,Y,Z.
4.	Drop Test	Motor withstands one free body drop from 30 cm in high onto 10 mm thickness of wooden board for each of the three faces in minimum packing condition.
5.	Acoustic Noise	25.93/37.80/53.96dBA – Curve (26.43/38.3/54.46Max) Measuring Condition – Under rated voltage in semi-anechoic chamber equipment sound level meter. (Figure A.)

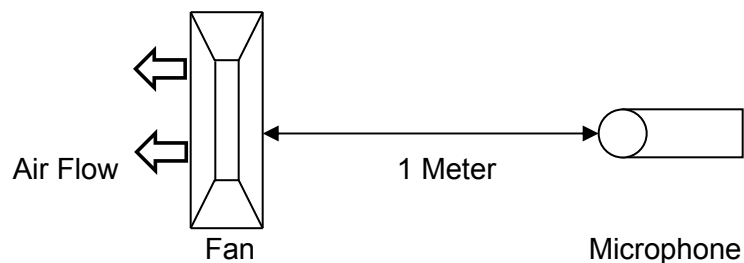


Figure A – Noise Level is measure at rated voltage in anechoic chamber in free air as above.



TOP MOTOR

DYNATRON CORPORATION

TOP MOTOR TECHNOLOGY(HUIZHOU)CO,LTD

4. PROTECTION

Items		Description
1.	Polarity Protection	For polarity error connection to power, the circuit withstands reversed connection between positive and negative leads.
2.	Locked Rotor Protection	Motor winding protects the motor from damage in 72 hours of locked rotor condition at rated voltage.



TOP MOTOR

DYNATRON CORPORATION

TOP MOTOR TECHNOLOGY(HUIZHOU)CO,LTD

5. PROTECTION

Items		Description
1.	Polarity Protection	For polarity error connection to power, the circuit withstands reversed connection between positive and negative leads.

6. ATTACHMENTS

6.1. Product Dimension



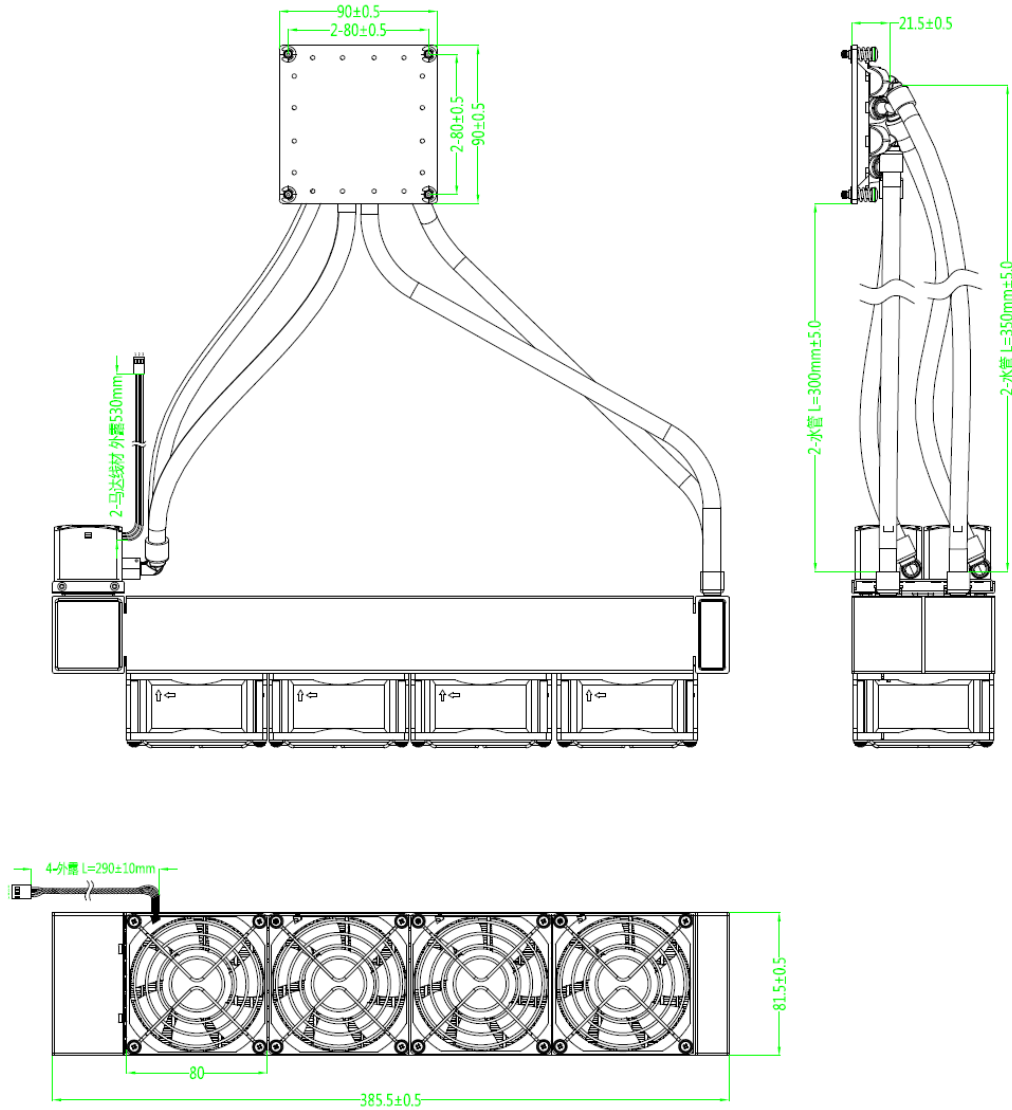
DYNATRON CORPORATION

TOP MOTOR

TOP MOTOR TECHNOLOGY(HUIZHOU)CO,LTD

6.1. Product Dimension

DIMENSIONS:



1.PUMP Note :

1. Lead Wire: UL2468#28AWG
 - PIN 1: Black Wire ----- Ground
 - PIN 2: Black Wire ----- Power
 - PIN 3: Black Wire ----- Signal
2. Connector: 2510-3PIN or Equivaient

2.Fan Note :

1. Lead Wire: UL1007#26AWG
 - PIN 1: Black Wire ----- Ground
 - PIN 2: Yellow Wire ----- Power
 - PIN 3: Green Wire ----- Signal
 - PIN 4: Blue Wire ----- Signal
2. Connector: 2510-4PIN or Equivaient